

WESTGATE

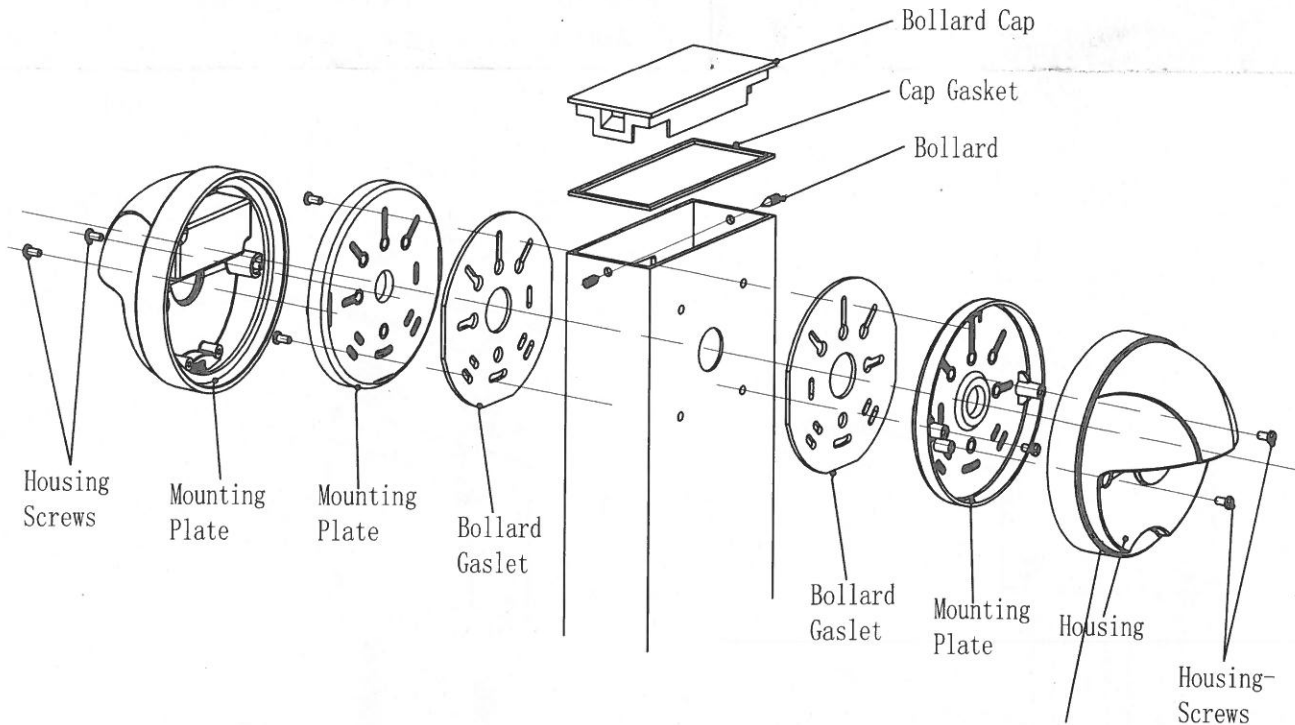
WMS-POST

WMS-POST1-18 WMS-POST2-18

WMS-POST1-36 WMS-POST2-36

For WMS-POST, cutouts are provided on both sides of Bollard. Secure Bollard before installing the housings

1. Loosen Housing Screws and remove Mounting Plate. Screws will remain in place with O-ring retaining gaskets. Fixture may hang from the tether while installing
2. Place Bollard Gasket and Mounting Plate over cut out on Bollard.
3. Attach Mounting Plate with supplied mounting plate screws.
4. Pull supply wires from bollard through mounting plate and wire fixture as shown in the wiring section.
5. Check Housing Gasket. It should remain firmly around the inside of the Housing.
6. Align Housing to Mounting Plate.
7. Make sure all gaskets are properly seated. Tighten Housing Screws.
8. Follow same steps for second fixture.
9. secure the Cap Gasket and tighten the Bollard Cap with provided screws



IMPORTANT

READ CAREFULLY BEFORE INSTALLING FIXTURE. RETAIN THESE INSTRUCTIONS FOR FUTURE REFERENCE.

Fixtures must be wired in accordance with the National Electrical code and all applicable local codes. proper grounding is required for safety. THIS PRODUCT MUST BE INSTALLED IN ACCORDANCE WITH THE APPLICABLE INSTALLATION CODE BY A PERSON FAMILIAR WITH THE CONSTRUCTION AND OPERATION OF THE PRODUCT AND THE HAZARDS INVOLVED. WARNING: Make certain power is OFF before installing or maintaining fixture. No user servicable parts inside.

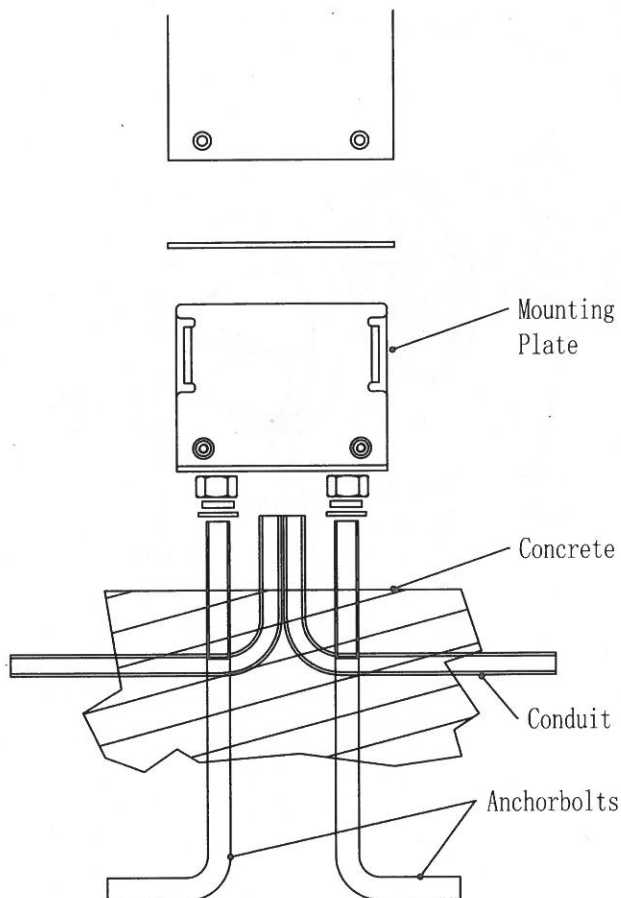
LOCATION

1. The Bollard should be mounted to a firm level surface.
2. Anchor bolts may be used in new concrete installations. Use the template provided.
3. For all other applications use anchors suitable for the mounting surface.

ANCHOR BOLTS INSTALLATION

CAUTION: Install according to all applicable local codes.

1. Install two Anchor Bolts in concrete foundation (by others) using the template provided. Mounting Plate may also be used as the template. Anchor Bolts should protrude no more than 3"



MOUNTING PLATE

Assemble fixture(s) to bollard before mounting the Bollard to the Mounting Plate

1. Place the Mounting Plate over Anchor Bolts.
2. Use four Leveling Screws or shims to level the Mounting plate.
3. Tighten assembly using the washers, lockwashers and nuts provided.
4. Make sure supply leads extend far enough to make fixture connections
5. Slide Gasket down around the bottom of the Mounting plate.
6. Use the four screws to mount the Bollard to the Mounting plate. Tighten securely

